

POPPY SIDE TABLE

Designed by Enrique Marti



Product Description

- Top : T18mm Ash veneer on MDF top with chamfered edge
- Frame : Solid ash wood
- Stretcher : Mild steel in powder coat finish
- Glides : Plastic PC



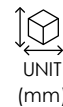
0.14 m3
1 PC/CTN

Material Finishes

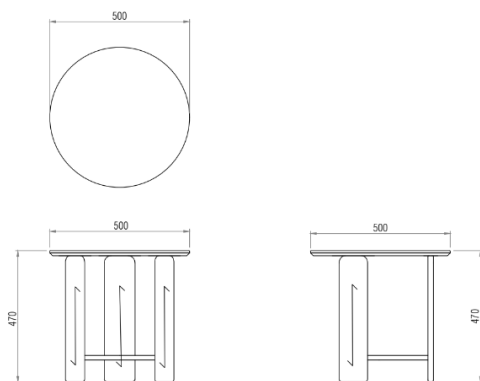
Wood Stain (Indoor)



Powder Coating (Indoor)



Height : 470
Diameter : 500



UNIT (mm)

Patent Registration: