

NOMAD DIVIDER WITH PLANTER BOX – 1152X1200

Designed by Enrique Marti

boreka
by KIAN



Product Description

- Frame : Mild steel in e-coating & fluorocarbon powder coat finish
- Planter Box : Mild steel in e-coating & fluorocarbon powder coat finish
- Panel : Aluminium in heat transfer
- Feature : LED strip embedded on metal frame
- Note : Bolted to floor & connector is optional



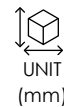
0.48 m3
1PC/CTN

Material Finishes

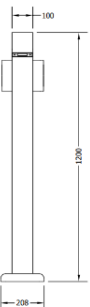
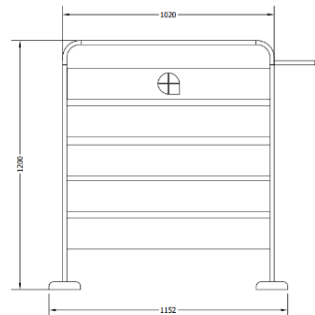
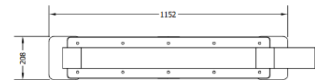
Powder Coat (Outdoor)



Artwood



Height : 1200
Wide : 1152
Depth : 208



UNIT (mm)

Patent Registration: